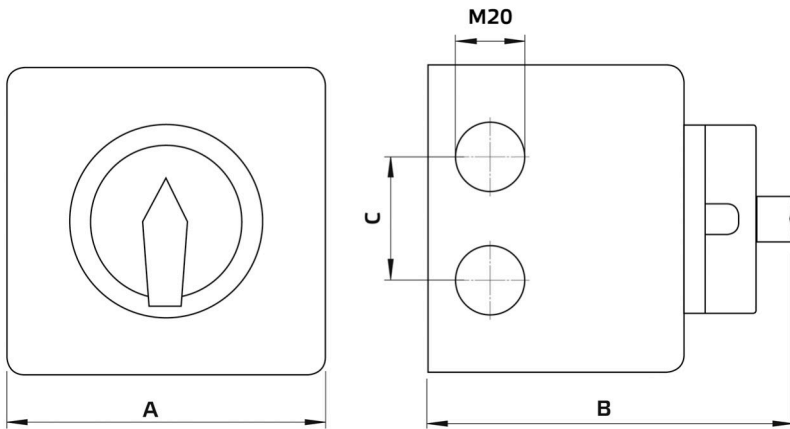


## Datasheet

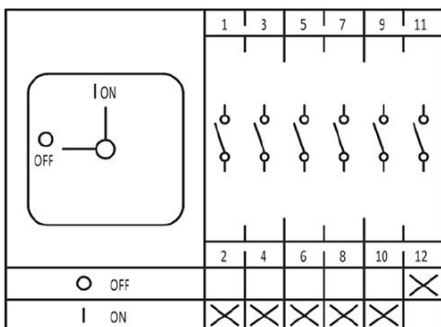
Product type: **Isolator switch**  
 Product ID: 102787  
 Product name: GS 01



A	mm	86
B	mm	100
C	mm	34
Max. operating current	A	25
Maximum Voltage	V	400
System protection		IP55
pole		3
Main contact		3
Auxiliary contact N/O contact		2
Auxiliary contact N/C contact		1
Weight	kg	0.3

- Isolator Switch
- Switching capacity 400V 3~ = 7,5kW
- Surface mounting
- UV resistant

Wiring diagram:



Assembly:

