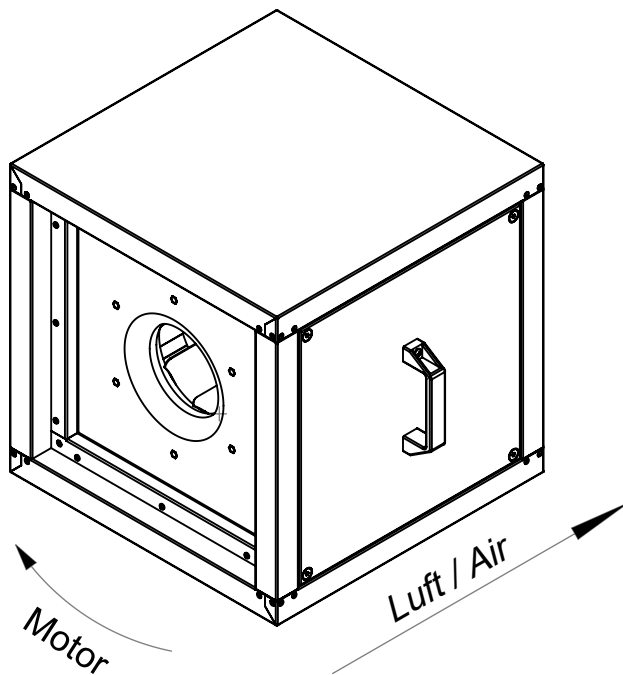
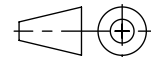


6xM6
LK ϕ 250mm

Anschlussmaß innen min. ϕ 195
Connection size inside min. ϕ 195



ruck^{eu}
VENTILATOREN
ruck Ventilatoren
Max-Planck-Str. 5
D-97944 Boxberg



Protection Mark
according to ISO16016

Created s.pop
Drawn s.pop
Released s.pop
Disabled

1:10 A4 mm

General tolerances
DIN ISO 2768-c

01.03.2021
01.03.2021
26.03.2021

MPC225D240

157170 00