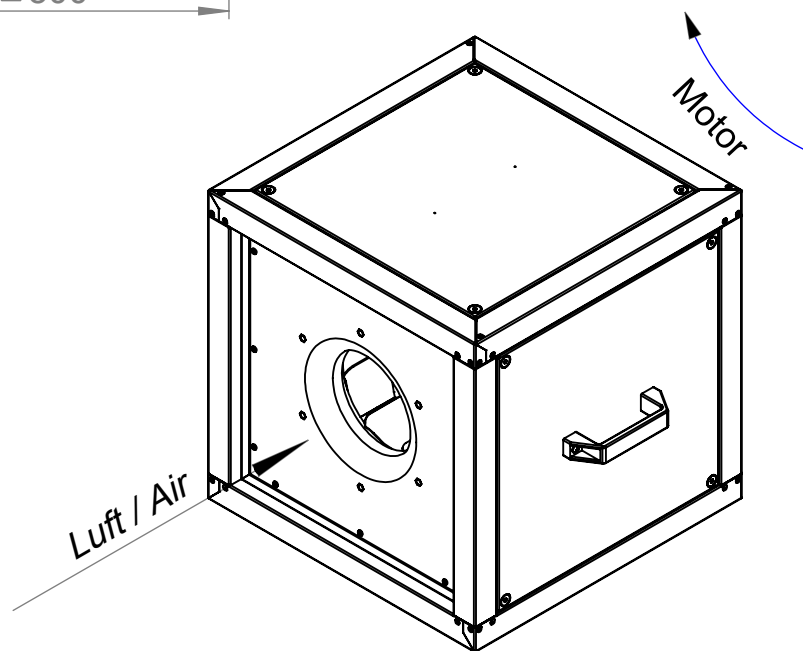


6xM6
LK ϕ 250

Connection size inside
min. ϕ 220



1:10 A4 mm

Protection Mark
according to ISO16016

General tolerances
DIN ISO 2768-c

MPC250ECT30

ruck

ruck Ventilatoren
Max-Planck-Str. 5
D-97944 Boxberg

Created s.pop
Drawn s.pop
Released s.pop
Disabled

22.02.2018
22.02.2018
14.07.2023

143078 00