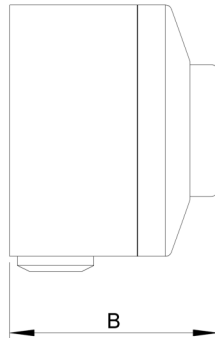
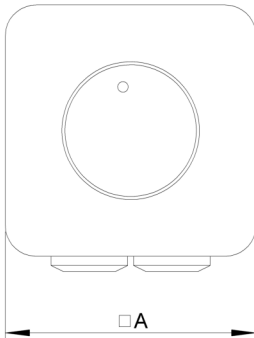


## Datasheet

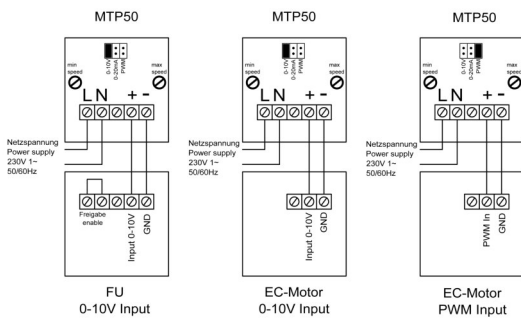
Product type: **Potentiometer**  
 Product ID: 168752  
 Product name: MTP 50



A	mm	82
B	mm	68
C	mm	62
D	mm	62
Max. ambient temperature	°C	40
Supply voltage		230V 1~ 50/ 60Hz
Mounting type		Surface and flush mounting
Weight	kg	0.2

- Potentiometer with multifunction output
- Surface mounting: Protection class IP 44  
 Flush mounting: Protection class IP 54
- Selectable output:
  - 1-10 VDC
  - 2-20 mA
  - 10-100% PWM
- Minimum and maximum output value configurable

### Wiring diagram:



### Assembly:

