

RS 250L EC K 01

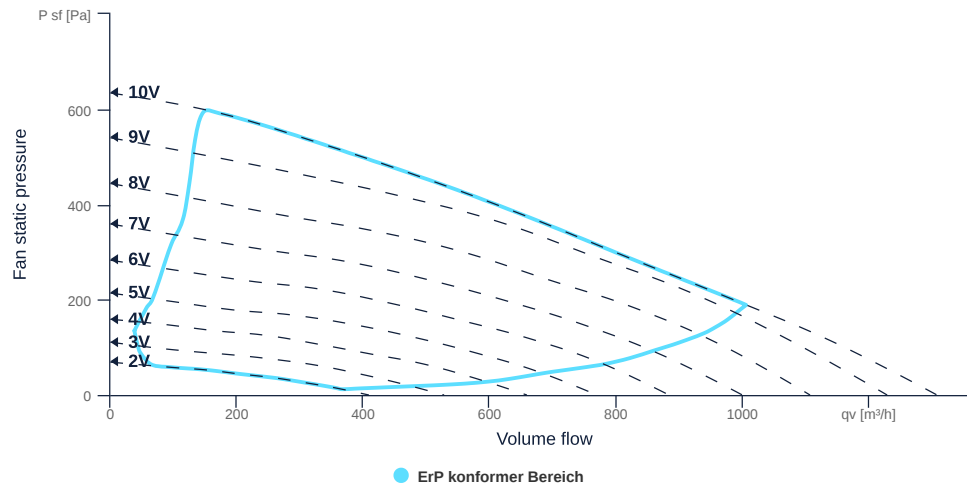
158247

- Compact centrifugal fan
- Backward curved impeller
- Sheet steel housing, RAL 7035, powder coated
- High efficiency EC motor, steplessly controllable
- Conveyed medium temperature up to 50 °C in continuous operation
- Internal electronic temperature monitoring



FAN CURVES

Name	Value	Unit
Volume flow	0	m³/h
Pressure	0	Pa



to the product detail page

RS 250L EC K 01

158247

ruck

GENERAL DATA

Name	Value	Unit	Formula symbol
Labeling	CE, UKCA		
Duct size	-		WxH _{duct}
Pipe connection size (DN)	DN250		DN
Rated voltage (entire device)	230	V	U _{rated}
Phases (entire device)	1~		phase
Electrical protection (entire device)	6 A		fuse
Housing material	Steel		mat _{casing}
Impeller material	Plastic		mat _{impeller}
IP-protection class (casing)	IPX4		IP _{casing}
IP-protection class (entire device)	IPX4		IP _{compl}
IP-Protection class (terminal box)	IP44		IP _{ebox}
Weight	4.22	kg	m
Nominal air flow rate, nominal point m ³ /h	1004.4	m ³ /h	q _{v,nom}
Nominal external pressure, static	189	Pa	p _{s,nom}
Fan type	Radial		Fan _{type}
Category / Installation situation	B		cat

ERP DATA (LOT 6)

Name	Value	Unit	Formula symbol
Nominal air flow rate, nominal point m ³ /s	0.28	m ³ /s	q _{v,nom}
Actual electrical input power, nominal point	0.17	kW	P _{e,nom}
Face velocity, nominal point	5.69	m/s	v _{nom}
Nominal external pressure, static	189	Pa	p _{s,nom}
static efficiency of the extract fan, nominal point	31.03	%	η _{es,EHA}
Enclosure sound level, nominal point	60.02	dba	L _{WA2}
Rating	Product is compliant 2018		



to the product detail page

RS 250L EC K 01

158247

ruck

MAXIMAL DATA

Name	Value		Unit	Formula symbol
	50 Hz	60 Hz		
Max. power consumption (device)	165	165	W	$P_{ed, max}$
Max. operating current (device)	1.37	1.37	A	$I_{ed, max}$
Max. speed	2800	2800	1/min	n_{max}
Max. stat. efficiency	41	41	%	η_{es}
Max. fan efficiency	41.9	41.9	%	η_e
Max. flowrate	1310	1310	m ³ /h	Q_v, max
Max. stat pressure	630	630	Pa	$p_{st, max}$
Max. medium temperature	50	50	°C	$T_{m, max}$
Max. environment temperature	50	50	°C	$T_{amb, max}$
Min. environment temperature	-30	-30	°C	$T_{amb, min}$

MOTOR DATA

Name	Value		Unit	Formula symbol
	50 Hz	60 Hz		
Rated frequency (device)		50		f
Motor type		EC		phase
Control type		stepless-controlled		ctrltype
Installation type		ORM (Out)		install
Rotation direction		right		rotation
Isolation class		ISO F		ISOclass
Motor-protection		TEC		protectmotor
Protection class		IP54		IPmotor
Is pole-changeable		No		polexch
Type of power supply		AC 1~		pwrsupmotor
Rated voltage	230		V	$U_{rated, f1}$
Rated current	1.2		A	$I_{rated, f1}$
Shaft power	165		W	$P_{out, f1}$
Speed	2600		1/min	n_{f1}
Efficiency	46.9		%	$\eta_{m, f1}$
Min. temperature	-30		°C	$T_{motor, min}$
Cos Phi	0.600000	0.000000		$\cos \varphi$
UL-Certification motor		None		ULcert

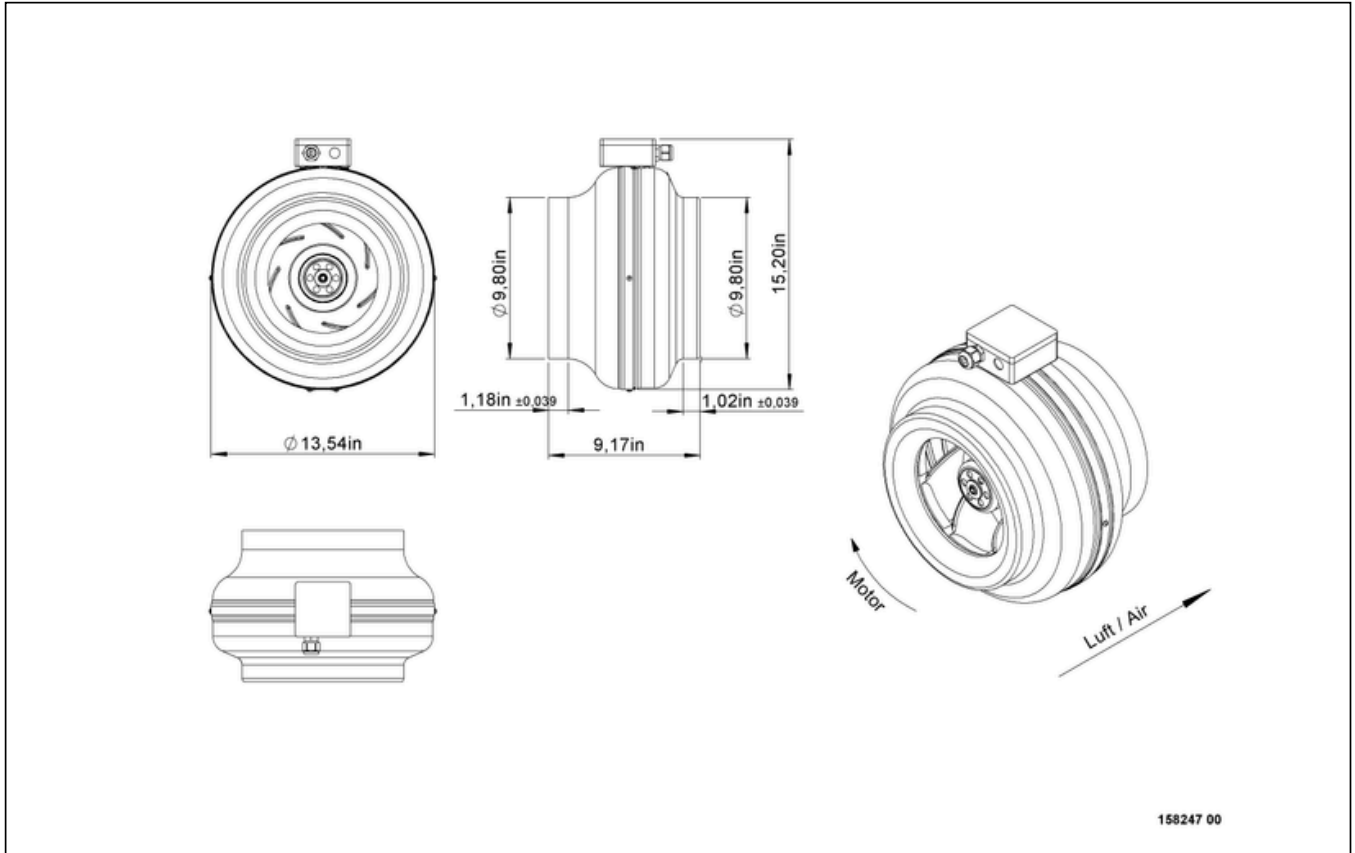


to the product detail page

RS 250L EC K 01

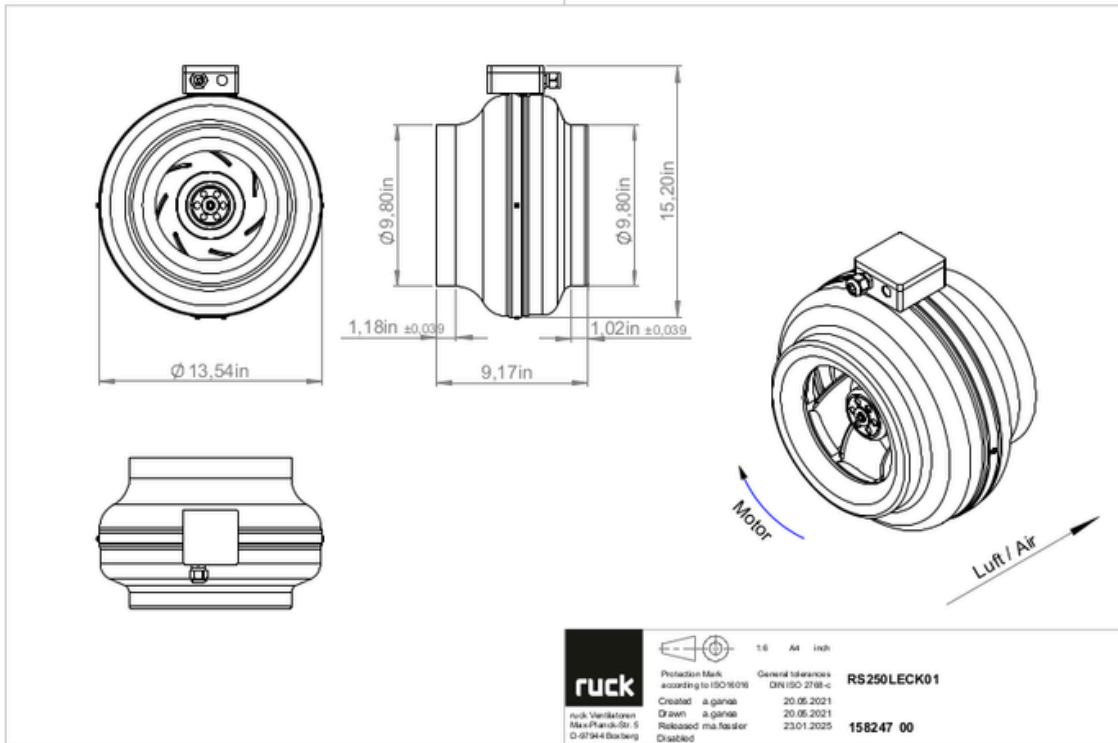
158247

CIRCUIT DIAGRAMS / DIMENSIONAL DRAWINGS



RS 250L EC K 01

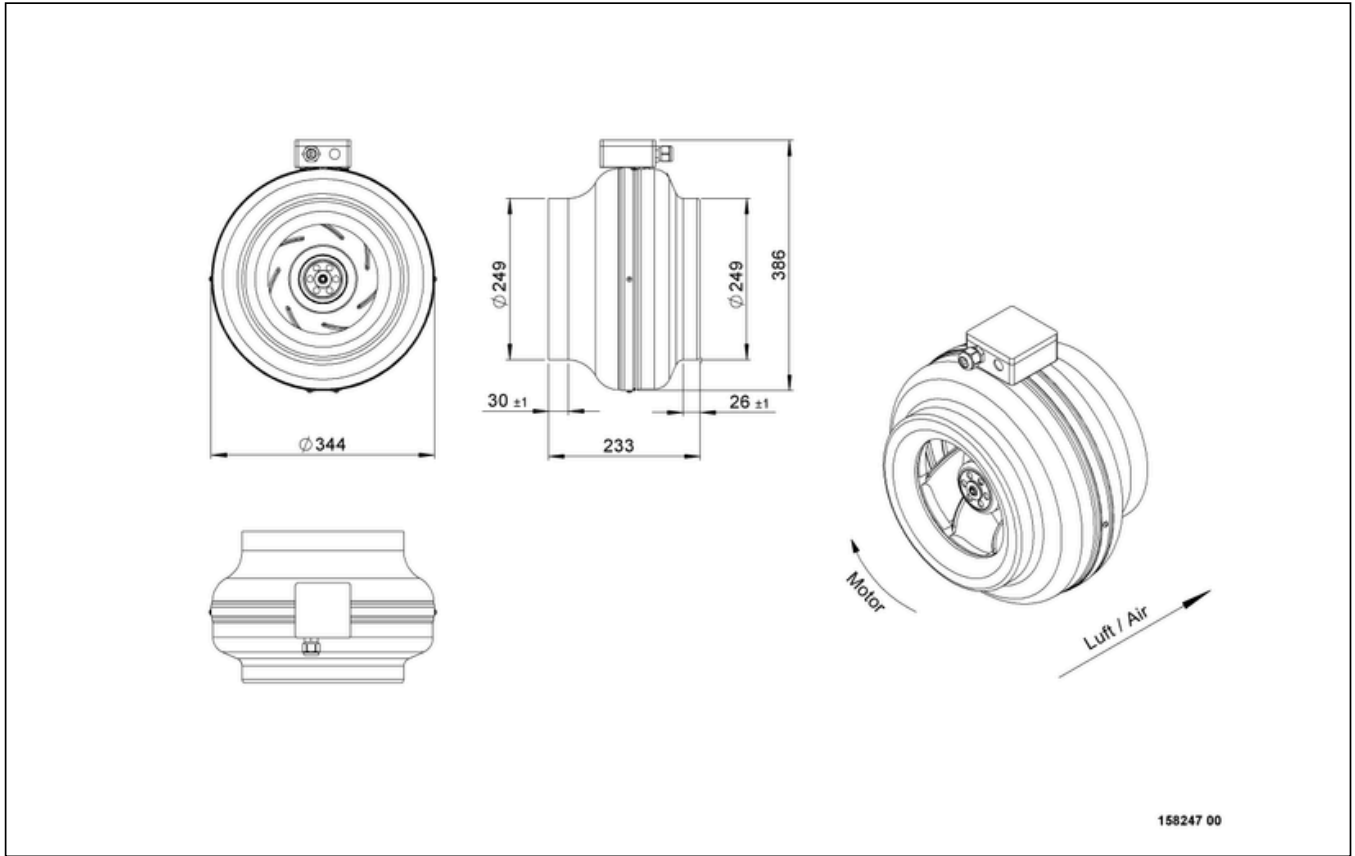
158247



to the product detail page

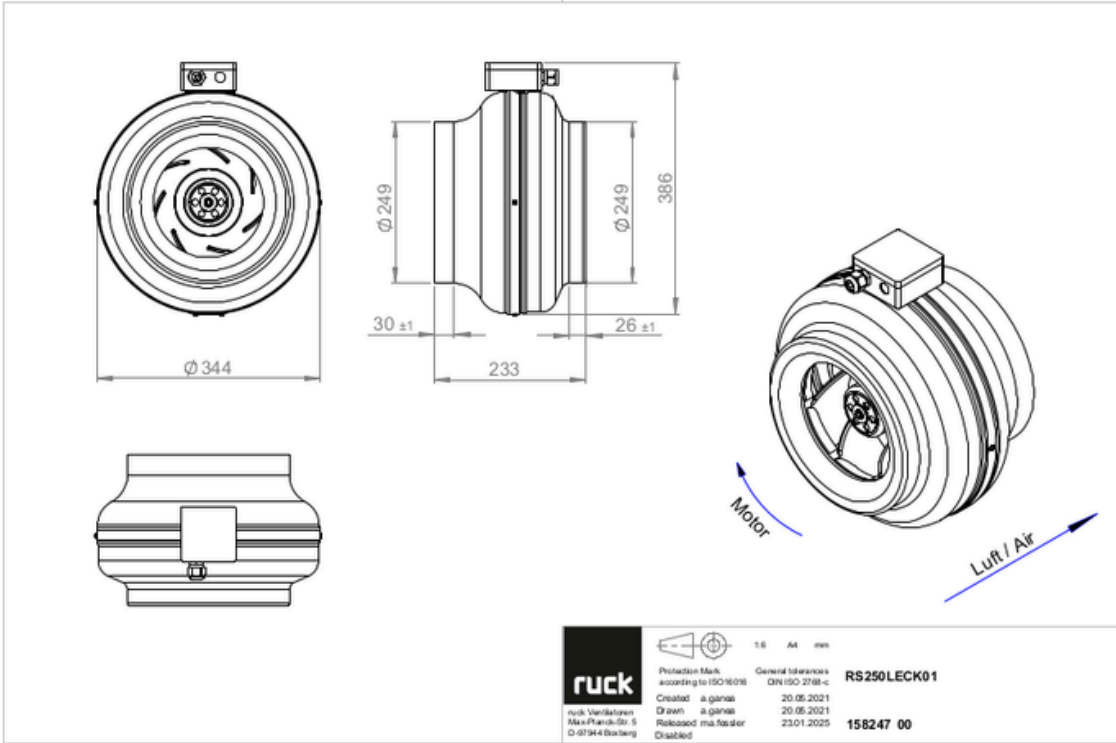
RS 250L EC K 01

158247



RS 250L EC K 01

158247



to the product detail page

RS 250L EC K 01

158247

